



Hinge for cambered hatches and curved hinge edges

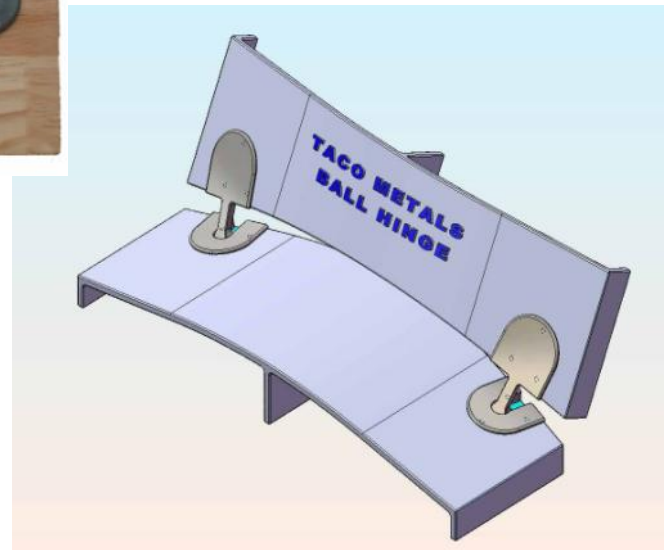
The biggest ever new development in hinging technology.

Taco flush ball hatch hinge for cambered hatches and curved hinge edges. This flush hinge can be mounted to hinge hatches or doors with camber or curved hinge edge or a combination of both, that would otherwise need hinge pins to be in line sitting proud above the surface. This hinge is flat when the hatch is closed and is aligned with the curve as the hatch opens.

- ◆ Flush fitting - the flange covers the cavity edge.
- ◆ Countersunk ex-stock, blind fastening on the drawing board.
- ◆ Opens to 90° must be used in conjunction with gas stays.
- ◆ 50mm x 100mm footprint, 7mm depth.
- ◆ Cut-out 41mmW x 91mmL x 7mmD radius ends
- ◆ Made from cast 316 stainless steel electropolished & high gloss polished
- ◆ CAD available soon.
- ◆ Ex Stock NOW



Patented & copyrighted



Prefer to get this Email? Please write your email in here and fax back to 09 4447511

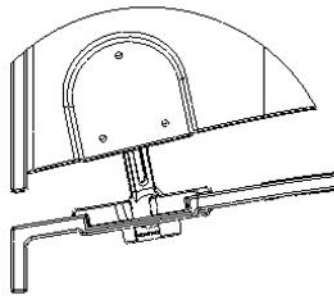
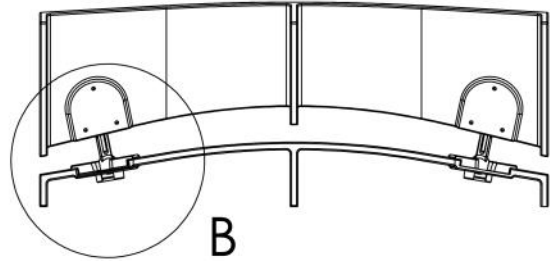
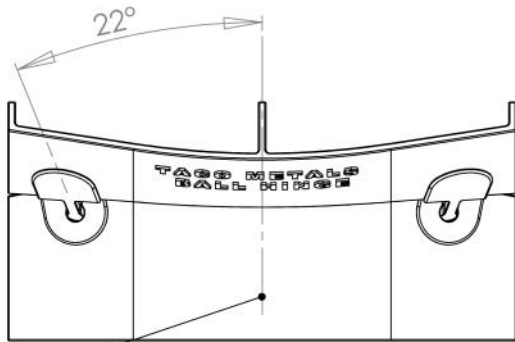
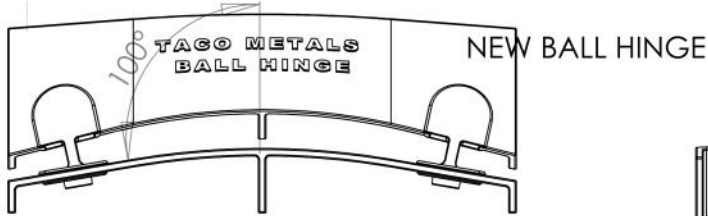
Oceanlift New Zealand

P.O. Box 303 012 North Harbour 0751 North Shore City New Zealand
Ph+649 4447537 Fax+649 4447511 mark@oceanlift.co.nz www.oceanlift.co.nz

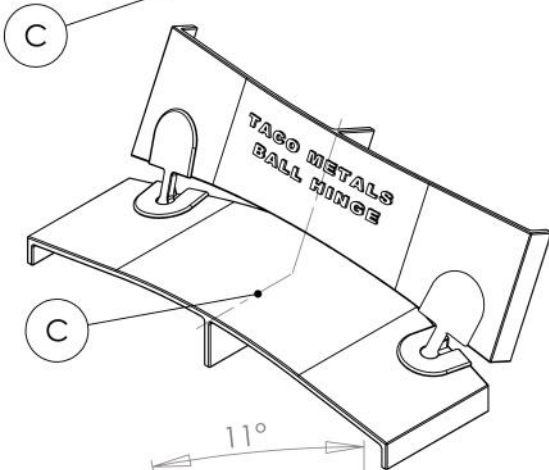


Taco Ball hinge

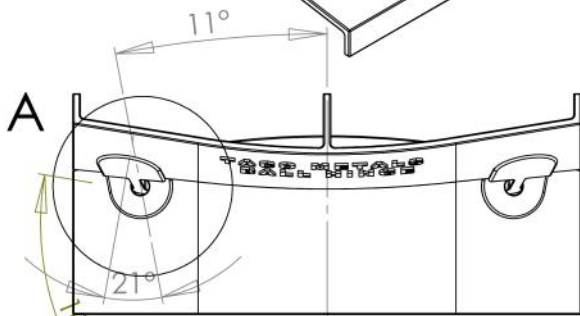
The biggest ever new development in hinging technology.



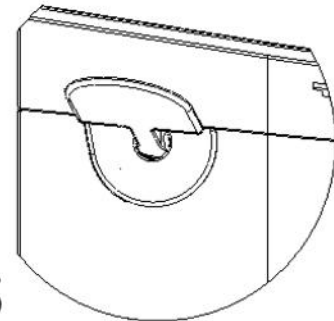
DETAIL B
SCALE 2 : 5



A BALL HINGE HAS NO FIXED AXIS AND NO FIXED PLANE WHICH ALLOWS IT TO FOLLOW THE CENTRE PLANE OF THE TWO HALVES OF THE BASE (C) WITHOUT JAMMING.



DETAIL A
SCALE 2 : 5



UNLESS OTHERWISE SPECIFIED:
DIMENSIONS ARE IN MILLIMETERS
SURFACE FINISH:
TOLERANCES:
LINEAR:
ANGULAR:

FINISH:

DEBUR AND
BREAK SHARP
EDGES

DO NOT SCALE DRAWING

REVISION

Oceanlift New Zealand

P.O. Box 303 012 North Harbour 0751 North Shore City New Zealand Ph+649 4447537 Fax+649 4447511
mark@oceanlift.co.nz www.oceanlift.co.nz