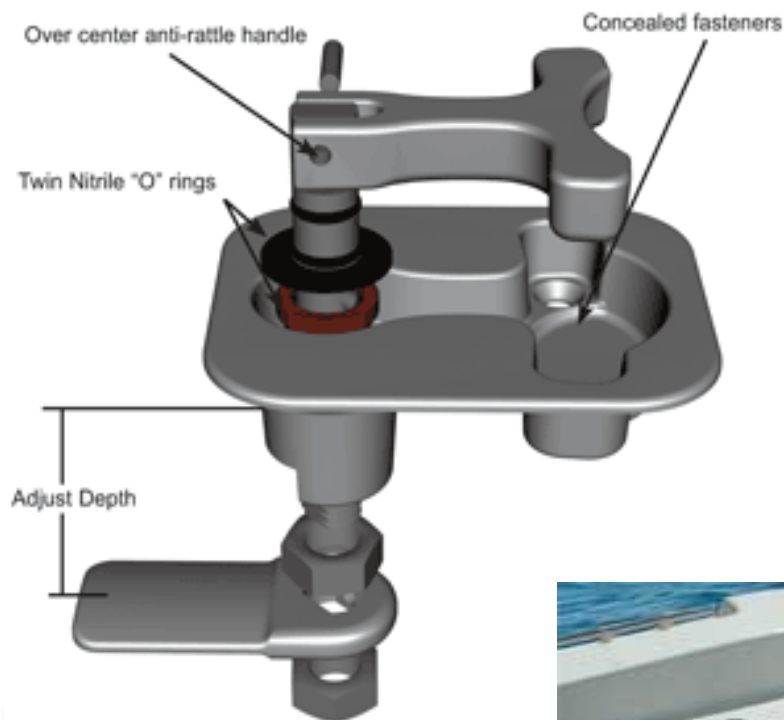


Taco hatch latches

Taco hatch latches provide the best performance, trouble free use in the most hostile conditions. Made from cast 316 stainless steel and injection molded glass reinforced nylon.

Round, square and rectangular designs enhance any marine craft. Latches can be installed vertically or horizontally, making them ideal for any Hatch application.

Lifting the handle releases the toggle tension then 1/4 turn of the handle and lift the hatch open.



BIG/small matching sets

Anchor handle

BIG 88mm dia. F16-3500

Small 62mm dia F16-2500

T handle circular

BIG 102mm dia. F16-4000

Small 76mm dia. F16-3000

T handle rectangle

BIG 102mm x 76mm F16-3040

Small 76mm x 63mm F16-3026



- Stainless steel shaft with unique **twin Nitrile “O” rings** retain the lubricant to ensure the O-rings remain waterproof and operate smoothly.
- No metal to metal - SS shaft rides friction free in full depth glass filled nylon bush.
- Over centre handle action pulls the toggle up tight and **compresses the seal** so it does not rattle
- Concealed-hidden fastenings

Oceanlift New Zealand

Ph +649 4447537 Fax +649 4447511 email mark@oceanlift.co.nz

www.oceanlift.co.nz



Taco Hatch latches compression action Stainless Steel 316



F16-2375

F16-2500

F16-3500

F16-3000 & 4000

F16-3025 & 3041

Part#	Dimensions	Adjust Depth	Hole Size	Overall Depth
F16-2375	72mm x 92mm	70mm	72mm x 92mm	85mm
F16-2500	62mm diameter	50mm	62mm	63mm
F16-3500	88mm diameter	70mm	88mm	85mm
F16-3000	76mm diameter	70mm	65mm	98mm
F16-4000	102mm diameter	70mm	85mm	93mm
F16-3026	63mm x 76mm	70mm	55mm x 66mm	80mm
F16-3040	76mm x 102mm	70mm	66mm x 86mm	88mm

Nylon hatch latches Glass Reinforced Nylon and stainless steel



Glass filled nylon body with stainless steel handle, shaft and tongue

Fits into 2" diameter hole

Complete with backing bar & screws



F16-2525 Same dimensions as F16-2500 above except 62mm x 62mm

Bulk	Dimensions	Base Colour	Handle Colour	Adjust Depth	Hole Size	Overall Depth
F42-2500BKSS	62mm ROUND	BLACK	POLISHED S/S	50mm"	50mm	63mm
F42-2500WHSS	62mm ROUND	WHITE	POLISHED S/S	50mm	50mm	63mm

Oceanlift New Zealand

1 Tern Place Unsworth Heights North Shore City P.O. Box 303012 North Harbour 0751
Ph +649 4447537 Fax +649 4447511 email mark@oceanlift.co.nz